

New
width 9.60 m

MULTI-TUNNELS

6,20m, 8,50m and 9,60m



RICHEL 6.20 m to 9.60 m multi-tunnels meet the needs of growers, particularly producers of berries, in a simple and cost-effective way. This new range uses RICHEL technology and quality already improved in our tunnel and multispan unit ranges.

EASY ASSEMBLY

- Mounting on anchors without concrete
- Tunnels can be twin to each other
- More space between arches

INCREASED PRODUCTIVITY

- Maximised cultivated area on the edges
- Easy movement of machinery
- Large volume; ridge height up to 4.75 m

SAFETY AND STRENGTHNESS

- Resistant to snow and wind loads
- Certified as per European Standard EN 13031-1 Tunnel





>>> Technical characteristics

> Frame

- Steel frame:
 - 6.20 m/8.50 m: 60 mm ovalised tube
 - 9.60 m: 90 mm ovalised tube
- Clearance at 50 cm from the edge:
 - 6.20m/8.50m: 2.20 m
 - 9.60 m: 2.45 m
- Foundations:
 - 6.20m/8.50m: anchors 85 cm
 - 9.60 m: anchors 85 cm
- Spacing of arches according to layout:
 - 6.20 m: 2.50 m
 - 8.50 m/9.60 m: 2 m, 2.50 m, 3 m or 4 m
- Crop support (optional)
 - 6.20 m: 1 or 2 stays
 - 8.50 m/9.60 m: 2 stays
- Ridge reinforcement:
 - 6.20 m: strap or ridge profile Ø 32 mm
 - 8.50 m/9.60 m: ridge profile Ø 32 mm
- Gutter for multi-tunnels: optional for the 6,20 m

> Cover

- Wide selection of films suited to the crops
- Clear, diffused, UV resistant, 3 or 7 layers, sulphur resistant
- Fixed by RICHEL clips or W clips

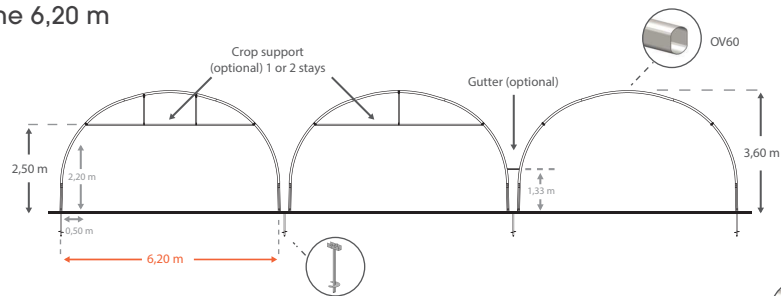
> Ventilation

- Option 1: manual ventilation by lifting up the film, by hands fixing by rope
- Option 2: ventilation by roll-up mechanism and crank

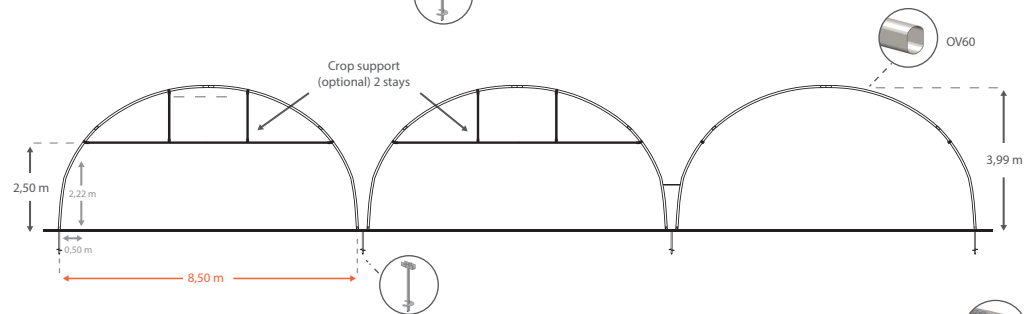
> Gable end doors

- Ventilation on gables by continuous roll-up system with Ø 32 mm tube. Manual or motorised mechanism
- Retaining tube Ø 32 mm to protect the ventilation
- Up to 8 tunnels possible per unit

> Multi-tunnels 6,20 m



> Multi-tunnels 8,50 m



> Multi-tunnels 9,60 m

